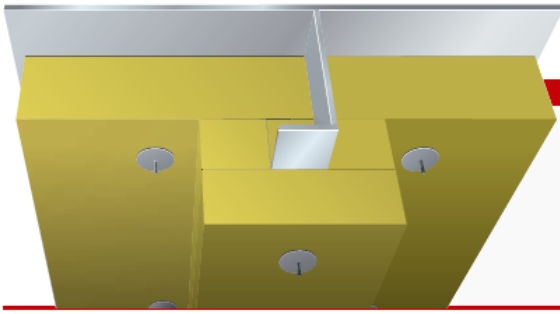


A-60 Steel Deck



MED B-4189

Product: Rockwool Marine Firebatts 130
Density: 130 kg/m³
Thickness: Plate 40 mm insulation
 Stiffener 40 mm insulation




Construction:

- Plate between stiffeners insulated with one layer of 40 mm Rockwool Marine Firebatts 130.
- Stiffeners insulated with min. 40 mm Rockwool Marine Firebatts 130.
- Standard steel plate 4.5 mm (± 0.5 mm) thick.
- $\varnothing 3$ mm pins fixed with approx 300 mm distance.
- Insulation secured with washers of $\varnothing 38$ mm.

Application notes:

- All the connections must be tight, no air gaps.
- Gap under the stiffener must be filled out completely.
- The pins should exceed the insulation by approx 10 mm.

Advantages:

-  **One layer solution**
-  **Optimal sound properties**
-  **Easy handling**

Surfaces:

- Reinforced aluminium foil
- Glass cloth

Sound:

- Weighted sound absorption
 Marine Firebatts 130, 40 mm $\alpha_w = 0.75$
- Weighted sound reduction of the A60 application
 $R_w = 56$ dB (with 1 mm steel sheet in front of the insulation)

