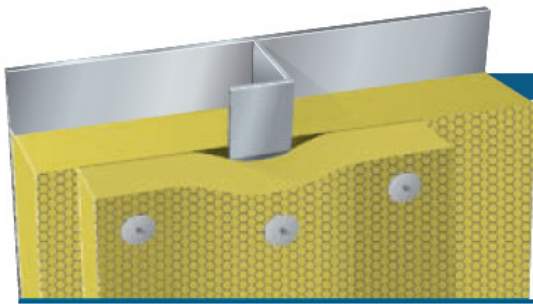


# A-30 Steel Bulkhead



**MED B-4134**

**Product:** Rockwool Marine Wired Mat 90  
**Density:** 90 kg/m<sup>3</sup>  
**Thickness:** Plate 50 mm insulation  
 Stiffener 30 mm insulation

## Construction:

- Plate between stiffeners insulated with one layer of 50 mm Rockwool Marine Wired Mat 90
- Stiffeners insulated with min. 30 mm Rockwool Marine Wired Mat 90 (min. 340 mm width)
- Standard steel plate 4.5 mm ( $\pm$  0.5 mm) thick.
- $\varnothing$ 3 mm pins fixed with approx 300 mm distance.
- Insulation secured with washers of  $\varnothing$ 38 mm.

## Application notes:

- All the connections must be tight, no air gaps.
- The pins should exceed the insulation by approx 10 mm.
- Wire mesh must be twisted together at joints.
- Insulation can be placed on either side of the steel plate.

## Advantages:



**Fast installation**



**Optimal sound properties**

## Surfaces:

- Reinforced aluminium foil
- Glass cloth

## Sound:

- Weighted sound absorption  
 Marine Wired Mat 90, 50 mm  $\alpha_w = 0.90$

